

## STANDARD ANCHORS

Standard masonry anchors are preferred over embedded hardware for use with Cast Stone. They are reliable, time-tested, and commercially available, need not be specially fabricated and afford great flexibility in meeting jobsite conditions.

Non-corrosive type anchors should be used for all anchoring. Stainless steel Type 304 or 316 are the standard type used in this class of work.

Typical sizes shown are 1/8" x 1" straps, 1/4" rods and 1/2" dowels. Dowel holes for 1/2" or 3/4" dowels are usually 1" diameter filled completely with mortar during setting. Anchor slots are typically 3/4" wide and similarly are filled with mortar.

Typical details are not universal. The Cast Stone Institute® strongly recommends that designers consult with the project engineer and Cast Stone Institute® producer member in the early stages of design to determine the appropriate anchoring strategy.



①



②



③



④



⑤



⑥

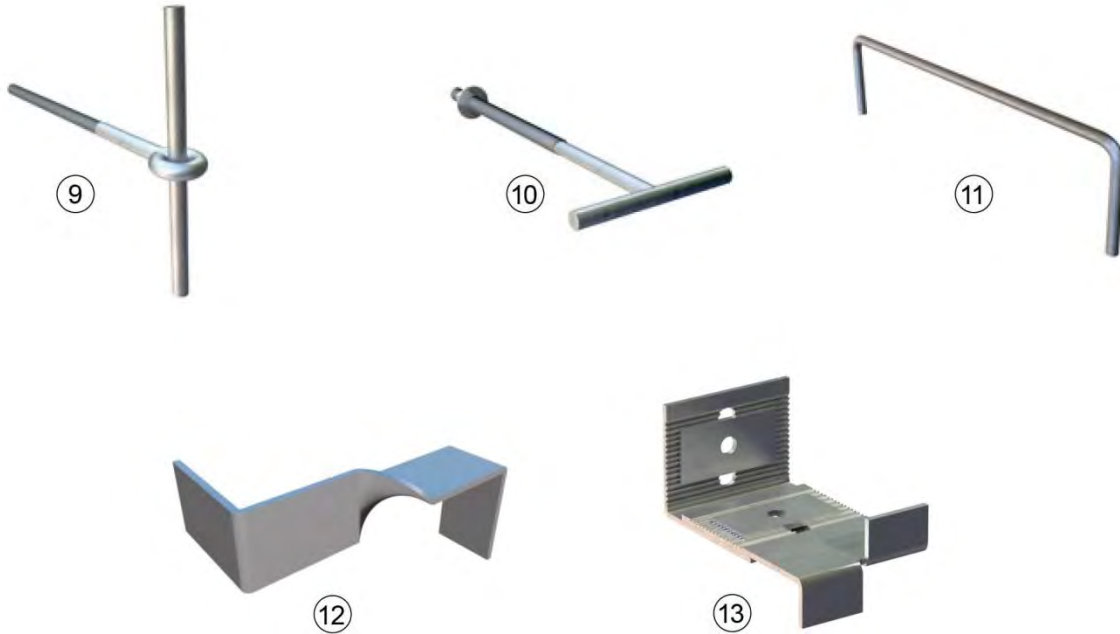


⑦



⑧

1. Z Strap Anchor
2. Cramp Anchor
3. Spring Dowel Anchor
4. Solid Dowel
5. Threaded Rod
6. Split Tail Anchor
7. Dowel Strap Anchor
8. Split Dowel Anchor
9. Eye Bolt & Dowel
10. Bolted Dowel Anchor
11. Wire Cramp Anchor
12. Twisted Cramp Anchor
13. Adjustable Stone Anchor



This Technical Bulletin addresses generally accepted practices, methods and general details for the use of Architectural Cast Stone. This document is designed **only as a guide** and is **not** intended for any specific application or project. It is the responsibility of design and construction professionals to determine the applicability and appropriate application of any detail to a specific project based on professional judgment, specific project conditions, manufacturer's recommendations and solid understanding of product characteristics. The Cast Stone Institute makes no express or implied warranty or guarantee of the techniques or construction methods identified herein. Technical references shall be made to the edition of the International Building Codes for the location of the structure, the latest edition of the TMS 402/406 Masonry Standards document and TMS 404, 504, 604 Standards for Design, Fabrication and Installation of Architectural Cast Stone.

The Cast Stone Institute (CSI) is a not-for-profit organization created to advance the design, manufacture and use of Architectural Cast Stone. To further this goal, the CSI continually disseminates information to targeted construction industry audiences through presentations, programs and technical publications.

1. Split Dowel Anchor
2. Dowel Strap Anchor
3. Twisted Strap Anchor
4. 'J' Strap Anchor
5. 'Z' Strap Anchor
6. Adjustable Split Tail Anchor
7. Split Tail Anchor
8. Spring Dowel Anchor
9. Bent Strap Dowel Anchor
10. Threaded Rod
11. Solid Dowel
12. Eye Bolt & Dowel
13. Bolted Dowel Anchor

