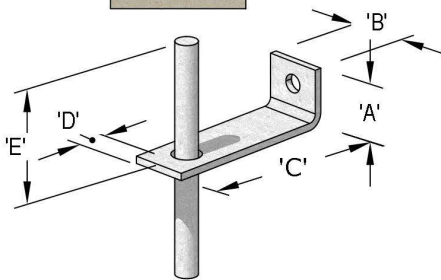
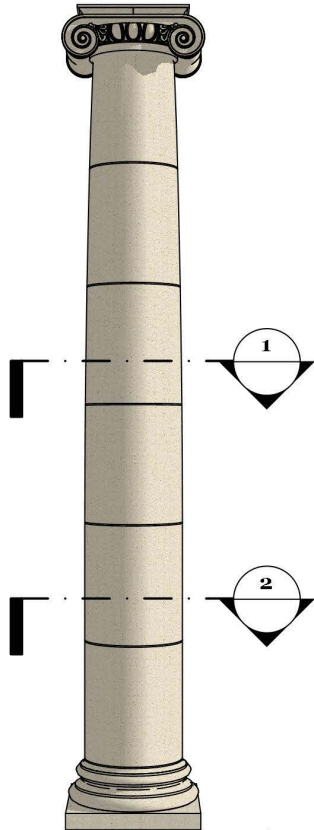
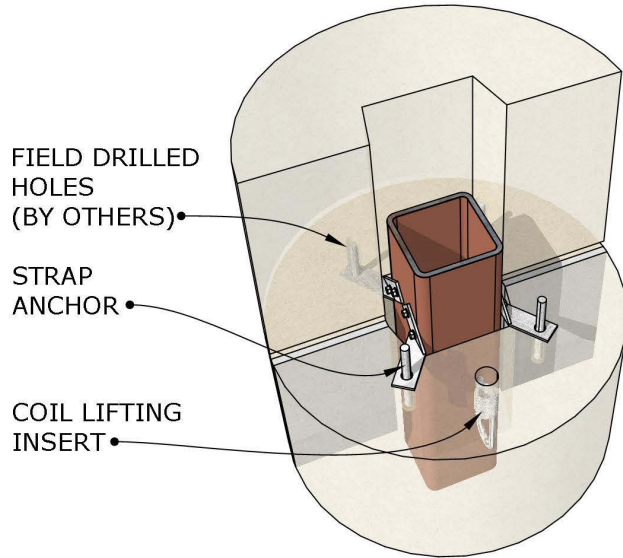


COLUMN - DETAILS



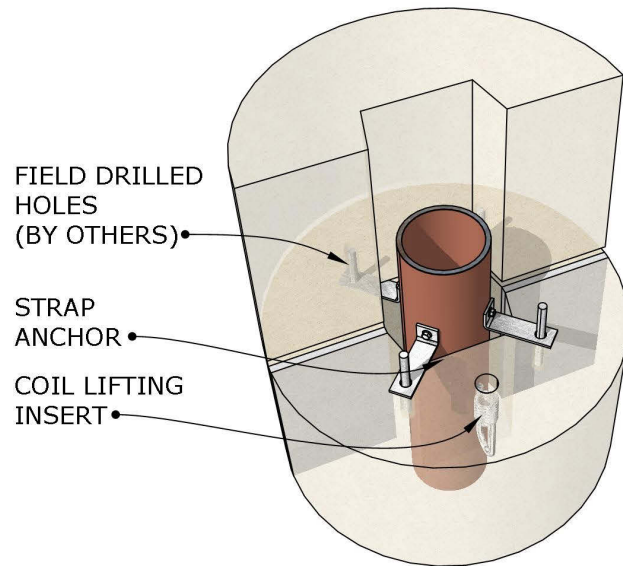
STRAP W/ DOWEL PIN

- Strap/pin sizes per engineering requirements
- Typical 'A' dimensions are 1"-2".
- Typical 'B' dimensions are 1"-2".
- Typical 'C' dimensions are from center of stone to the face of the sheathing/outside face of wall structure.
- Typical 'D' dimensions are 3/4"-1".
- Typical 'E' dimensions are 1-1/2"-2".
- Typical thru hole diameter is 1/16" larger than the fastener diameter. For example, using a 1/4"φ self tapping metal screw, the diameter would be 5/16"φ



FIELD DRILLED HOLES (BY OTHERS)
STRAP ANCHOR
COIL LIFTING INSERT

COLUMN - DETAIL #1



FIELD DRILLED HOLES (BY OTHERS)
STRAP ANCHOR
COIL LIFTING INSERT

COLUMN - DETAIL #2